



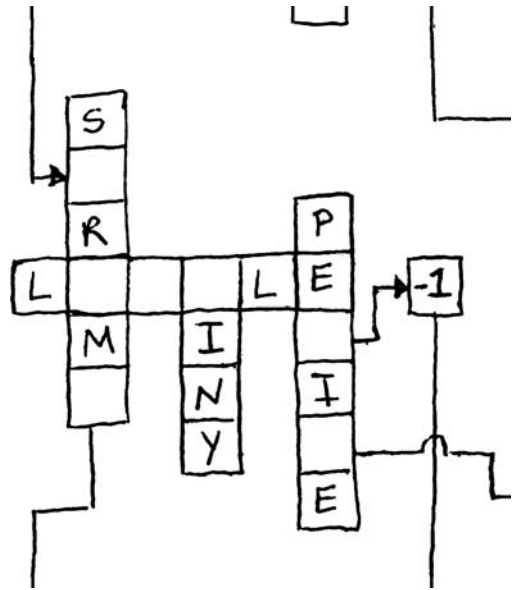
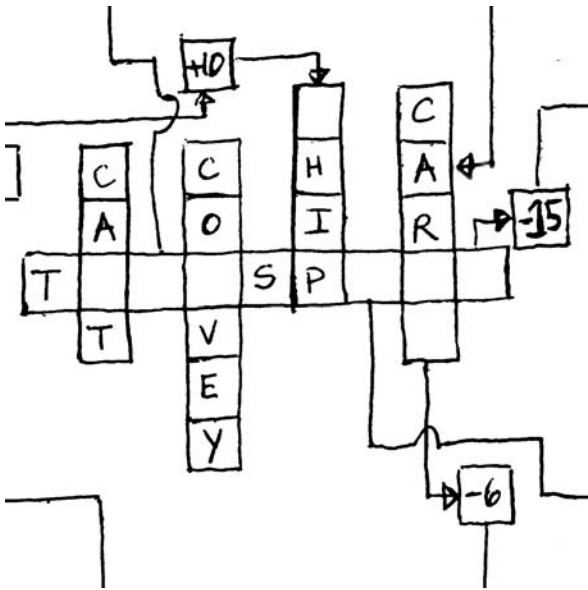
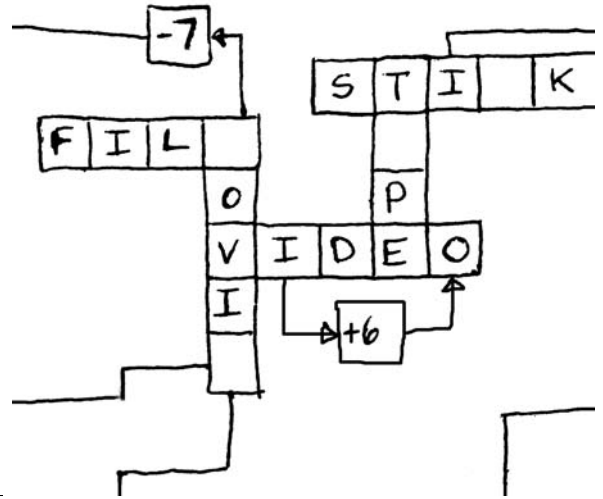
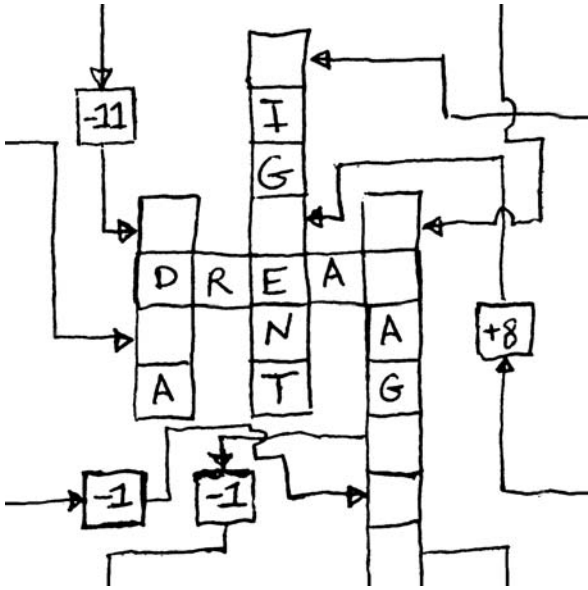
...and so, on the next day...

Viral Marketing

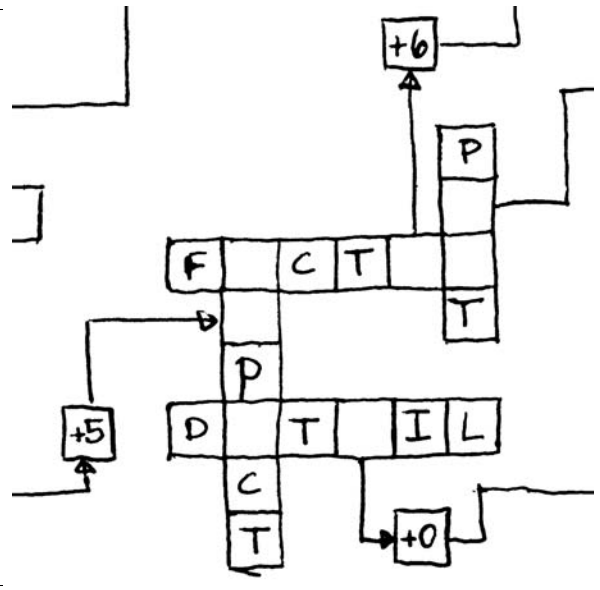
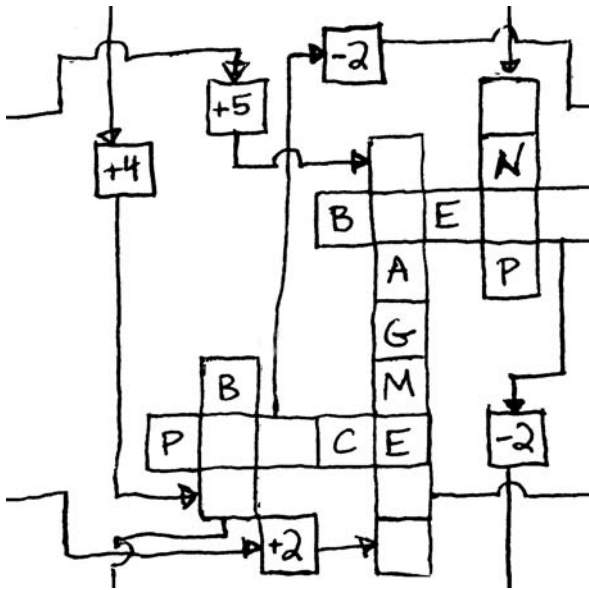
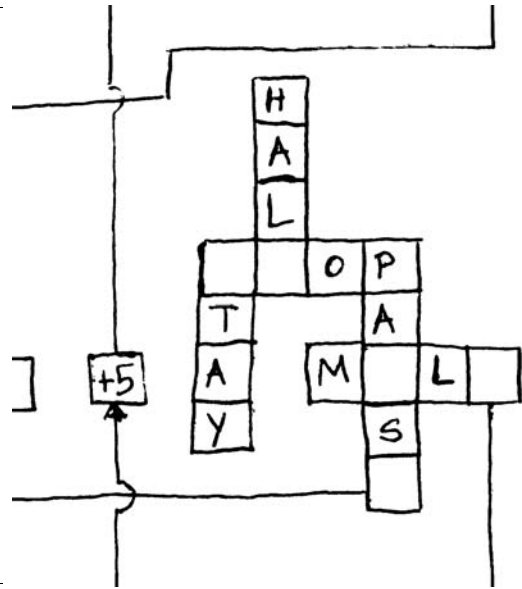
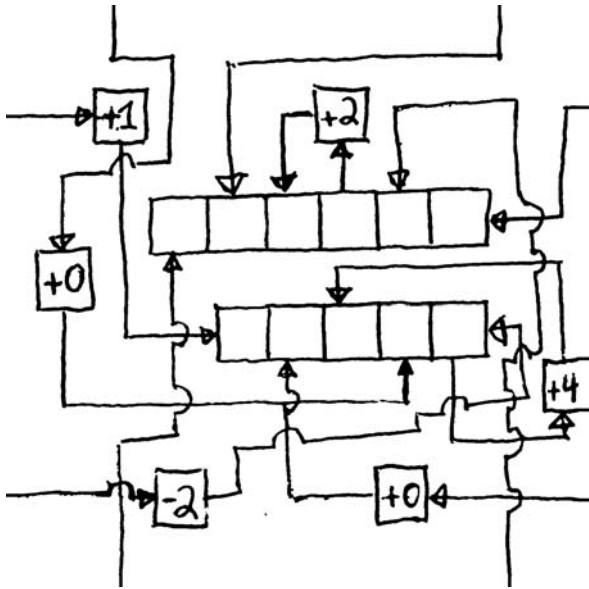
The kids hired Tara Lalezari to help with marketing. Of course, she's an expert in "Viral Marketing." They remember she said that marketing was all about connecting ideas, but they can't remember the one thing that would allow their idea to spread! She wrote it on one of the post it notes, and the kids remember that all the notes were arranged in a 3x3 grid. If we could remember the big picture...

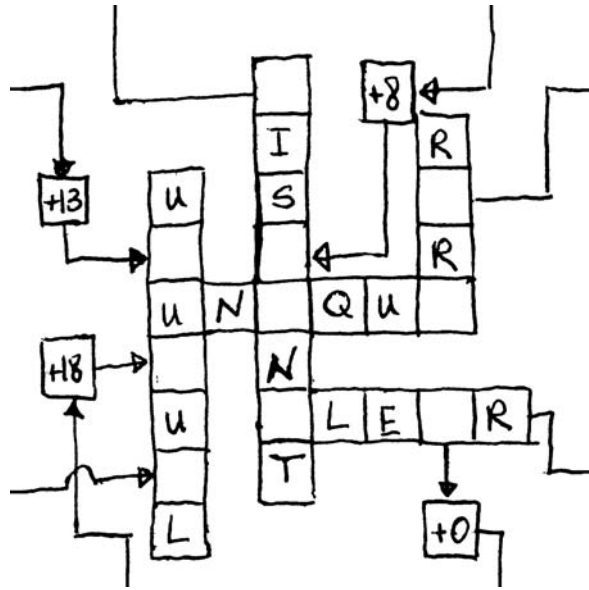
Received with this puzzle: one business card; this page;
9 moveable notes.





Cutting guide: cut as indicated and affix a small piece of tape on each note.





After cutting, pile the notes in a disorganized stack in the middle of the intro page.